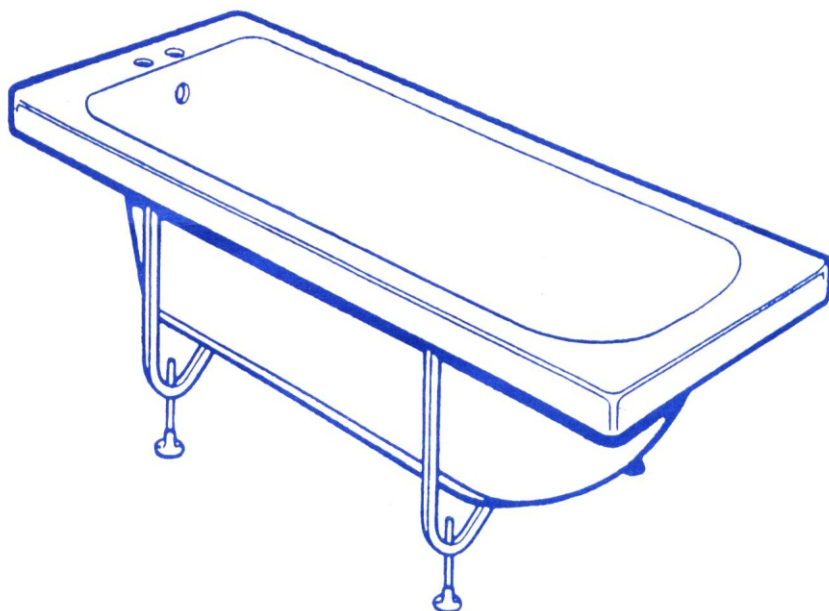


FIXING INSTRUCTIONS

STANDARD RECTANGULAR BATH (WOOD FRAME)



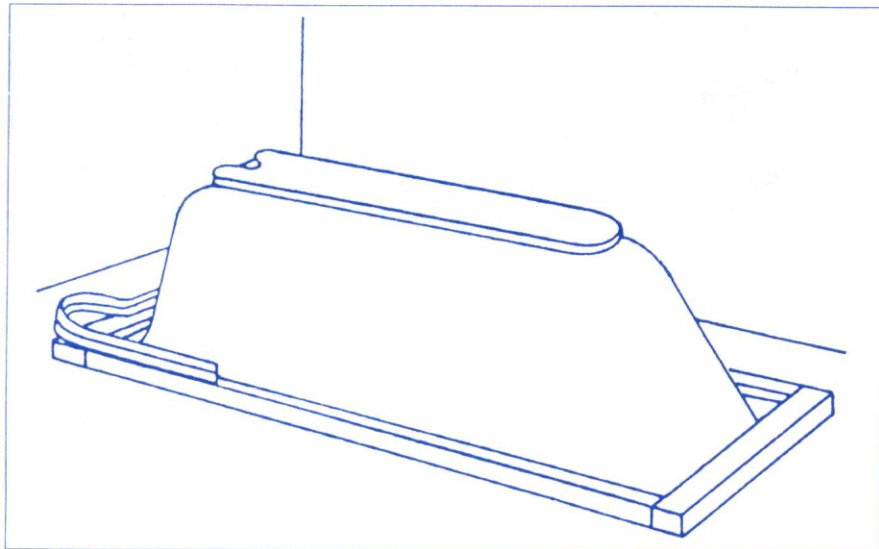
To assemble and install the bath read carefully through the step-by-step instructions first, then follow them throughout the assembly.

Check all parts against the parts list before discarding any of the packaging. Remove all protection from bath and check surface for damage or defects as no responsibility can be accepted for obvious defects after installation.

Make sure that the area in which you will be working is free from any objects that may scratch the bath as for some stages it will have to be face down. It is a good idea to lay down a large sheet of cardboard first.

BATH INSTALLATION

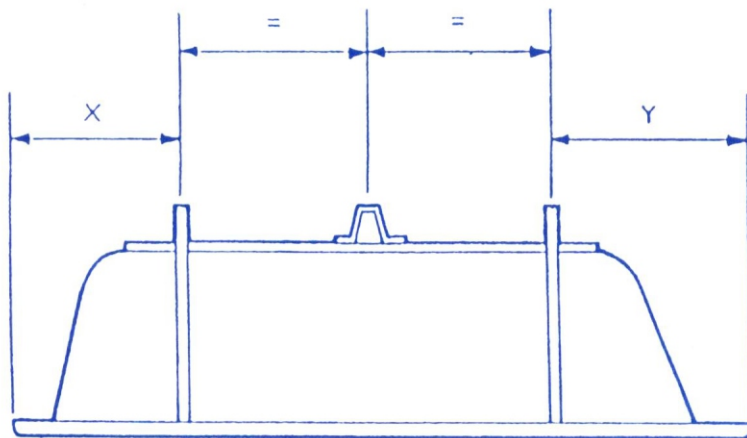
1



- a** Lay the bath upside down on its face while the packaging is still intact.
- b** Remove the leg sets, box of fittings and grip pack from the underside of the bath. Any screws removed to take the components off should be kept as they will be needed later.

2

DIMENSIONS FROM EDGE OF BATH



TAP END

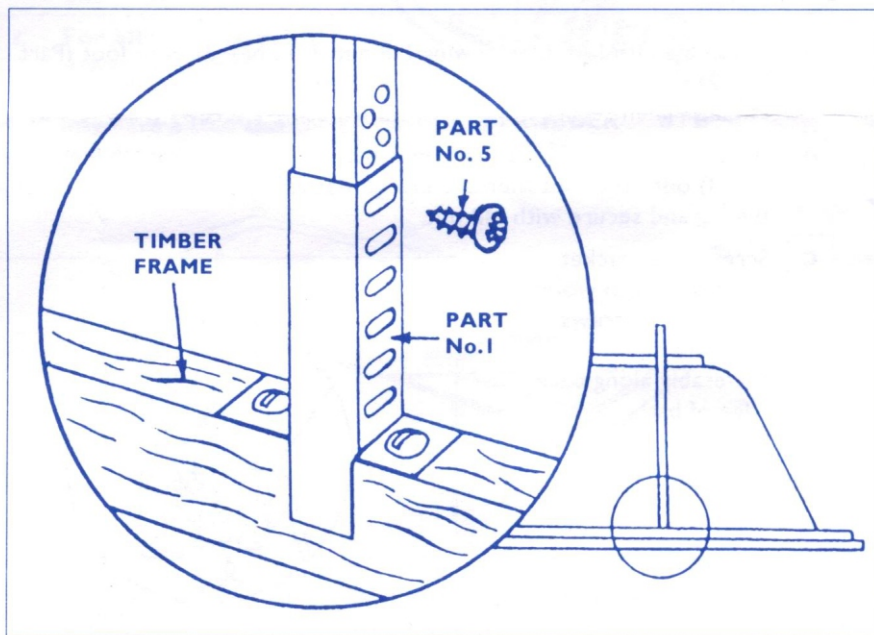
- a** Use table to find the leg positions for your bath.

2

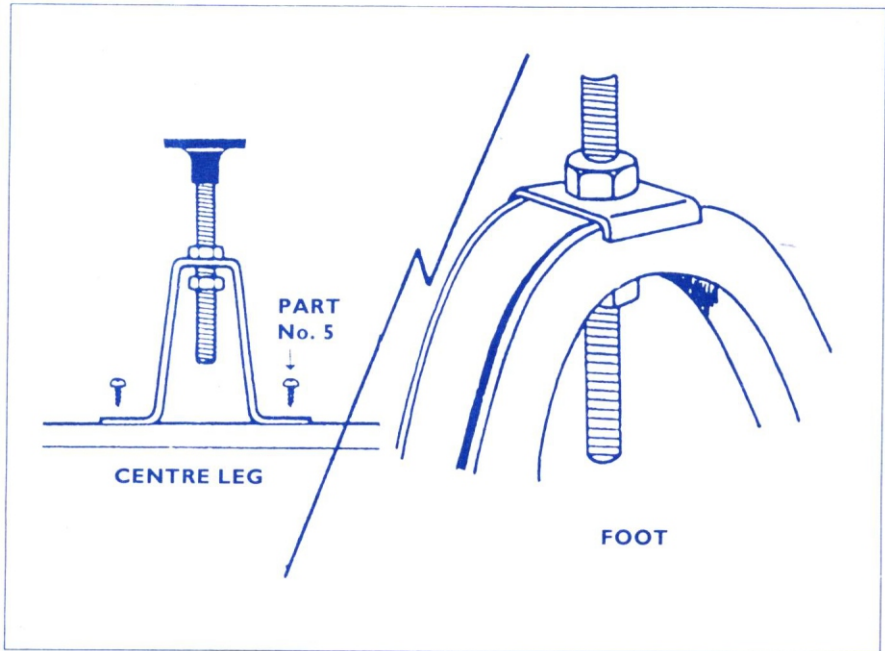
cont.

Bath	X	Y
Jupiter	350	370
Nocturne 1700	370	350
Nocturne 1500	380	325
Ascana	400	340
Loire	400	420
All others	400	400

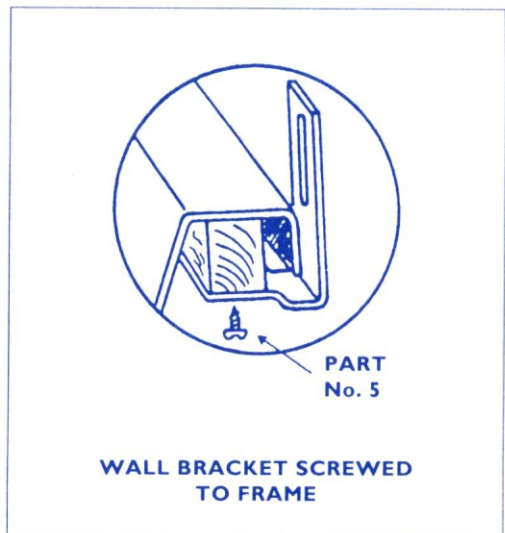
- b** Mark distances X and Y onto the wood top frame.
- c** Place leg set over bath at positions marked and fix to baseboard with Part No. 5.

3

- a** Secure the sockets to the timber frame using the $\frac{1}{2}$ " self tapping screws Part No. 5.
Then align the holes in the leg with the slots, pass self tapping screw (Part No. 5) through the hole that is visible and then secure.

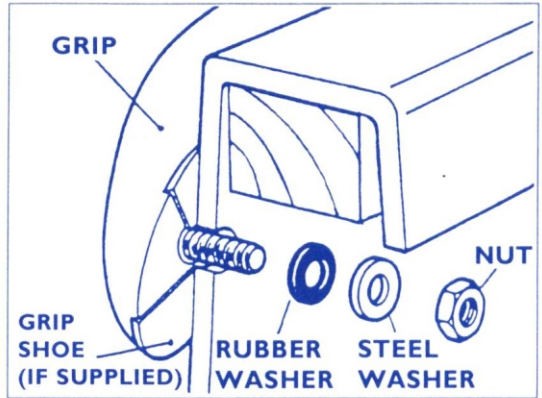


- a** Assemble fifth foot by screwing M8 nut (Part No. 3) onto foot (Part No. 2) then placing through bracket (Part No. 4) and securing with M8 nut. Then secure in position shown using 2 screws (Part No. 5).
- b** Assemble the other four feet onto the legs by placing one M8 nut (Part No. 3) onto the foot then the bridge washer (Part No. 8) then through the leg and secure with M8 nut.
- c** Screw wall bracket (Part No. 7) to wood frame using screws (Part No. 5). Preferably along back edge of bath.



5

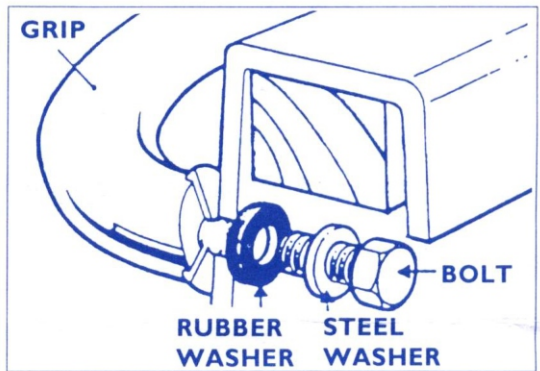
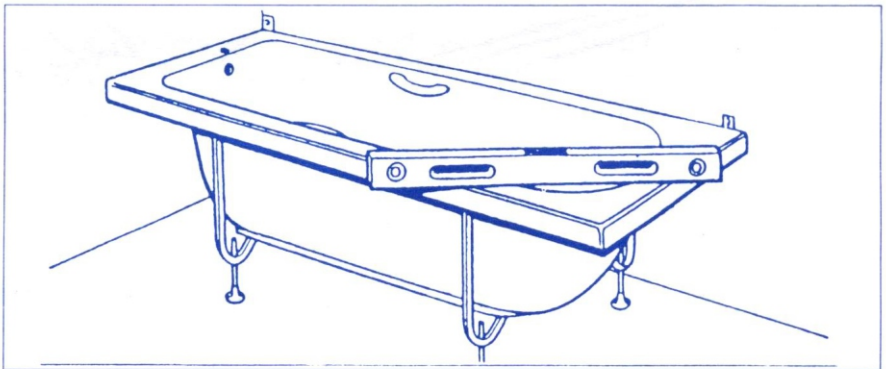
- a** For pillar type grips
Place pillar into grip, using allen key tighten grub screw so that pillar cannot fall out, but is still loose (2 per grip).



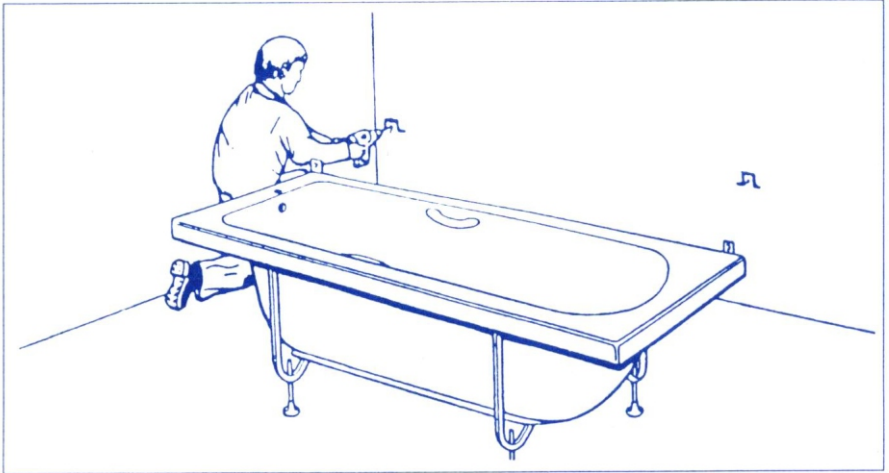
- b** Offer grip holes in bath and tighten, using rubber washer, then steel and finally M8 nut. Tighten grub screw in grip (see 5a) to secure grip to pillar.

NB: Grub screws to face downwards.

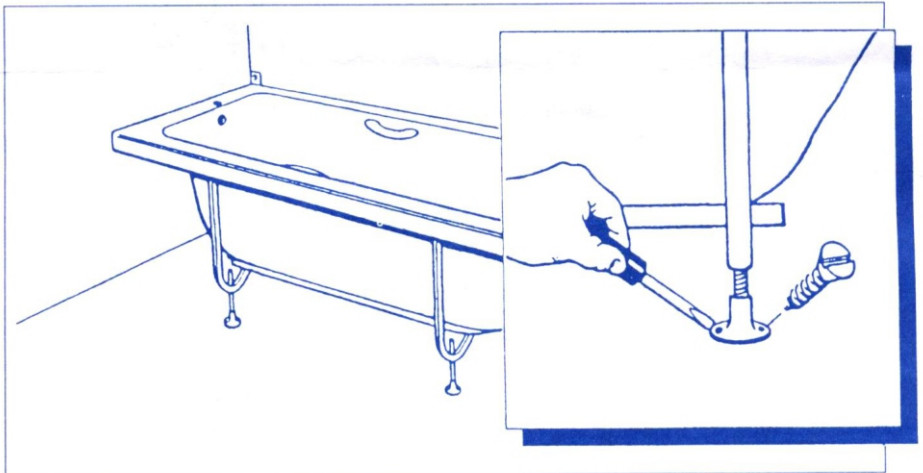
- c** For alternative grips
Assemble as shown.
- NB:** Certain models may have a stud and nut instead of a bolt.

**6**

- a** Place bath in position and set the bath to the required height using adjustable feet, bearing in mind the type and height of panel to be fitted (check height in panel Fixing Instructions). Check that the bath is level using a large spirit level.
- b** Once satisfied with the level and height of the bath, mark around the wall brackets and their holes, lock feet at height set using M8 nuts. Then adjust 5th foot to contact floor and lock using M8 nuts.

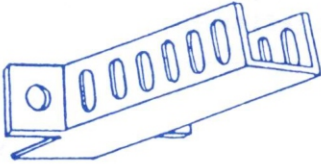


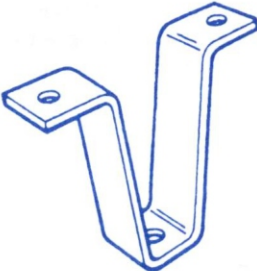
7



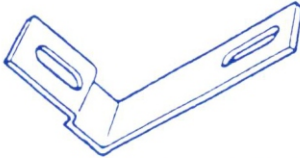
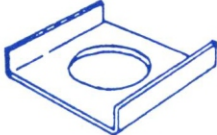
- a** Remove the bath from against the wall and drill two holes in the position marked suitable for No. 10 wall plugs (No. 10 masonry bit).
- b** Remove plaster around the hole to the line marked around the bracket, to allow a flush fit of the bath to the wall.

8

- a** Re-position the bath against the wall and check the level before marking any plumbing connections. Fix the taps and the waste to the bath. Check for leaks.
- b** Using No. 10 wall plugs (not supplied) fix the bath to the wall using screws (Part No. 6).
- c** Screw the two outer feet to the floor screws not supplied.

PARTS LIST

DESCRIPTION OF CONTENTS	PART No.	QTY.
 <p data-bbox="520 375 761 430">LEG SET TO TIMBER FRAME BRACKET</p>	1	4
 <p data-bbox="621 694 700 726">FOOT</p>	2	5
 <p data-bbox="392 981 627 1013">M8 NUTS FOR FEET</p>	3	10
 <p data-bbox="431 1300 789 1332">BRACKET FOR MIDDLE FOOT</p>	4	1

DESCRIPTION OF CONTENTS	PART No.	QTY.
 <p>1/2" SELF TAP SCREW</p>	5	20
 <p>SCREWS FOR BRACKETS TO WALL (RETAINED)</p>	6	2
 <p>BRACKETS FOR BATH TO WALL</p>	7	2
 <p>WASHER FOR FOOT TO LEG SET ATTACHMENT</p>	8	4

CARE INSTRUCTIONS

Wipe around the bath after each use and rinse with cold water. Most soiling can easily be removed by using a non-abrasive cleaner. DO NOT use scouring powders, which are not necessary and cause damage.

Hair lacquer, nail lacquer or nail lacquer remover, paint strippers and some dry cleaning agents will damage the surface. Obviously a naked flame or lighted cigarette should not be allowed to come into contact as these will mark the surface (in SOME cases these burns can be removed by GENTLY rubbing with an abrasive surface such as a VERY FINE emery paper, and the surface repolished with a metal polish).

Due to continuing product development we reserve the right to update and amend technical details without prior notice.

Twyford Bathrooms
Lawton Road, Alsager, Stoke - On - Trent. ST7 2DF. England
Telephone: 01270 879777 Fax: 01270 413581

Part No ZE8033XX