

WCs

# sandringham magna low level

Versatile WC pan in vitreous china that is suitable for domestic and public building applications with either high or low level cisterns.

Open flushing rim.

- *Conforms to British Standards*
- *Domestic, hotel and office use*
- *Ceramic or plastic cistern*
- *Economic to specify*



**Illustrated**

S3510 Sandringham Magnia WC pan  
S3900 6 litre cistern for side supply, internal overflow, with Freeflo plastic syphon fittings and 1/2in Microvalve HP/LP side supply ballvalve, internal overflow, plastic flush bend, Simpla inlet connector and supports, chromium plated lever  
S4055 Gemini seat & cover  
S9102 Domex screws

**Material**

Vitreous china

**Weight**

WC pan 12.0kg  
Cistern 19.0kg  
Seat & cover 2.2kg

**Colours**

Available in White (01) only

**Standards**

WC pan conforms to BS EN 997:2003  
Vitreous china to BS 3402

**Options**

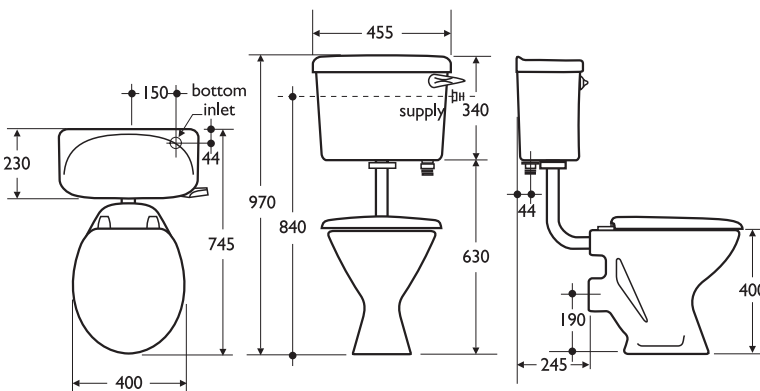
S3902 cistern and fittings as above but for bottom supply and internal overflow  
S3740 Regal 6 litre slimline plastic cistern, side supply and internal overflow  
S3742 Regal 6 litre slimline plastic cistern, bottom supply and internal overflow

**Associated products**

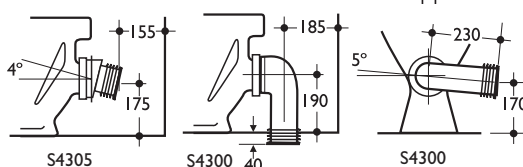
Panekta Connectors  
S4305 converts to P trap  
S4300 converts to S or turned P trap

**Special notes**

Side supply cistern fittings are reversible



conversion bends outlet to suit 102 bore soil pipe



WCs  
low/high level

