

WCs

braemar wm

This luxury wall mounted WC pan with concealed cistern, trap connection and concealed fittings is suitable for domestic, hotel, hospital and public building use.

Its concealed cistern and fittings provide resistance to vandalism.

Box flushing rim.

- Domestic and commercial use
- Concealed cistern
- Washdown WC
- Anti vandal
- Duct installation

WCs

wall mounted



Illustrated

S6800 Braemar WC pan
S9200 support frame in aluminium alloy with bolts
S362467 Conceala 2 cistern, 6 litre, dual flush pneumatic flush valve fitting, top inlet ballvalve and internal overflow
S4397AA Armitage Shanks contemporary flush plate, chromium plated
S4050 Astra seat & cover

Material

Vitreous china

Weight

WC pan 19.0kg
Supports 3.5kg

Colours

Available in White (01) only.

Standards

Vitreous china to BS 3402

Options

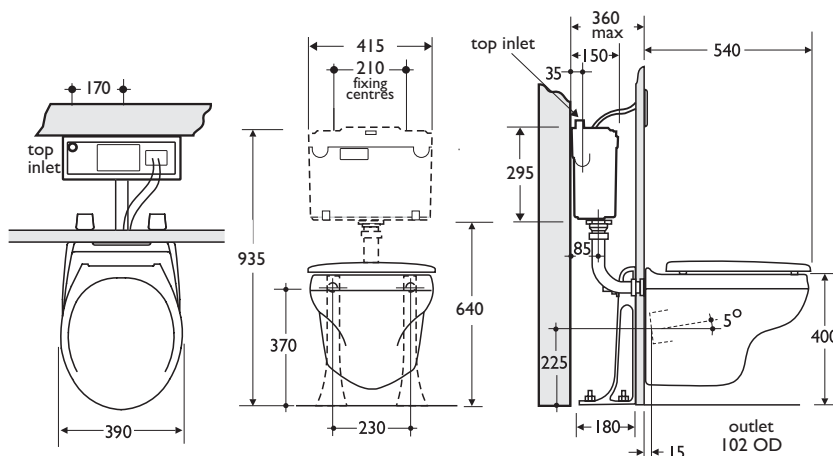
S362567 Conceala 2 cistern with bottom inlet ballvalve and internal overflow
S4399AA Contemporary flush plate, unbranded, chromium plated

Special notes

Cistern fittings side supply are reversible

Not suitable for use with In-wall WC frames.

To conform to Water Technology list requirements a dual flush Conceala cistern must be specified



from FFL to centre line of cistern fixing holes 925

