

WCs  
**alto wm**

Wall mounted WC suite with washdown bowl with open flushing rim.

- Domestic and commercial use
- Economical price
- Part of modern suite



**Illustrated**

**R3419** Alto wall mounted WC pan with horizontal outlet  
**E0060** support bracket assembly  
**S362467** Conceala 2 cistern, 6 litre, dual flush pneumatic flush valve fitting, top inlet ballvalve and internal overflow  
**E4437AA** Ideal Standard contemporary flush plate, chromium plated  
**E7590** Alto seat & cover, stainless steel hinges

**Material**

Vitreous china

**Weight**

WC pan 16.6kg  
 Seat & cover 3.0kg  
 Support brackets 5.5kg

**Colours**

Available in White (01) only

**Standards**

Vitreous china to BS 3402

**Options**

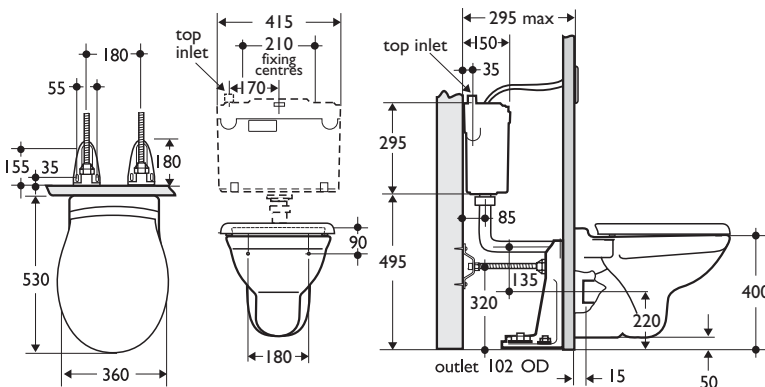
**S362567** Conceala 2 cistern with bottom inlet ballvalve and internal overflow  
**S4399AA** Contemporary flush plate, unbranded, chromium plated

**Special notes**

Support brackets screwed to floor within the duct. WC fixed to support brackets and bolts screwed back to wall brackets. Joint sealed with waterproof sealant (not supplied) Suitable for In-wall WC frame, see pages 5:6:4A and 5:6:4B. To conform to Water Techology list requirements a dual flush Conceala cistern must be specified

WCs

wall mounted



from FFL to centre line of cistern fixing holes 770

