

WCs

junior profile btw

Solid back to wall washdown WC for use in schools, hospitals, hotels, other public buildings and domestic applications.

This 355mm high pan has horizontal outlet and back inlet for ducted cistern and box flushing rim.

- Schools use
- Low height WC
- High or low level cistern



Illustrated

- S3455 Junior Profile WC pan
- S361767 Conceala 2 cistern & cover, 6 litre, with Freeflo plastic syphon fittings, 1/2in Microvalve ballvalve, side supply, internal overflow, plastic flushbend, lever extended through panel and Simpla inlet connector
- S4055 Gemini seat & cover
- S9101 Domex screws

Material

Vitreous china

Weight

WC pan 19.0kg

Colours

Available in White (01) only

Standards

Vitreous china to BS 3402

Options

- S362267 Conceala 2 cistern & cover, single flush pneumatic valve fitting, side supply ballvalve with internal overflow with
- S4512MY Pneumatic finger push button in stainless steel for 31mm maximum thickness partition
- S4463AA Pneumatic palm push button in chromium plated plastic for 31mm maximum thickness partition

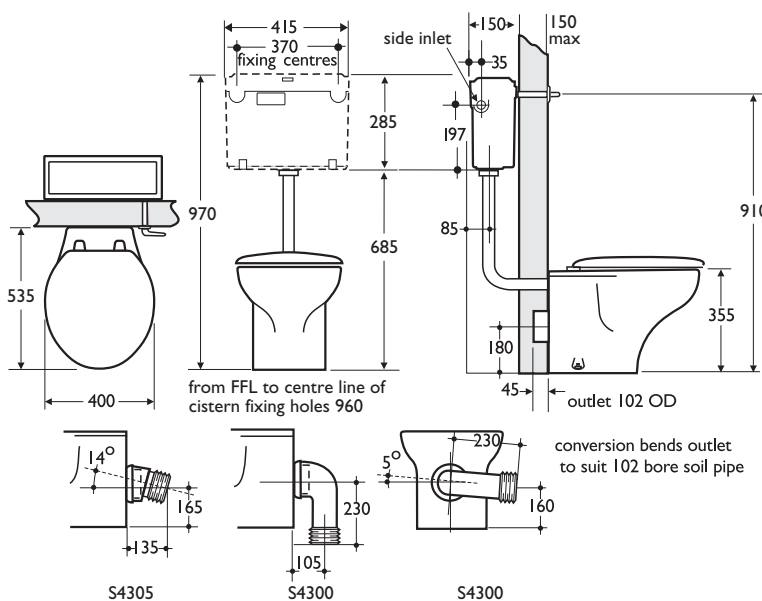
Associated products

- Panekta Connectors
- S4305 converts to P trap
- S4300 converts to S trap or turned P trap

Special notes

Cistern fittings are reversible. Dimension from floor to bottom of cistern can be reduced to 555mm when installed with S362267 single flush pneumatic valve cistern.

Other push buttons are available see page 5:6:6A



WCs
back to wall

