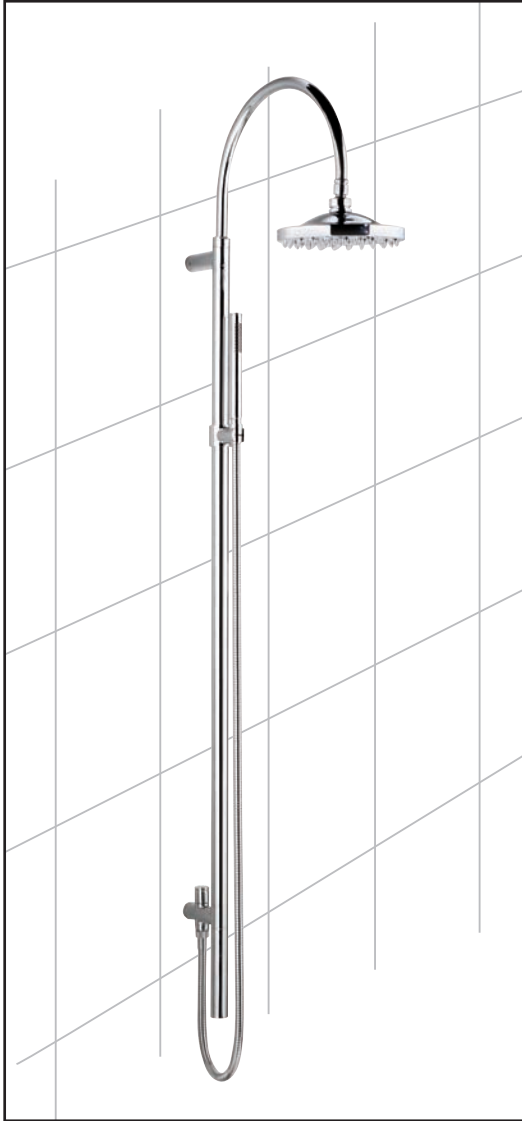
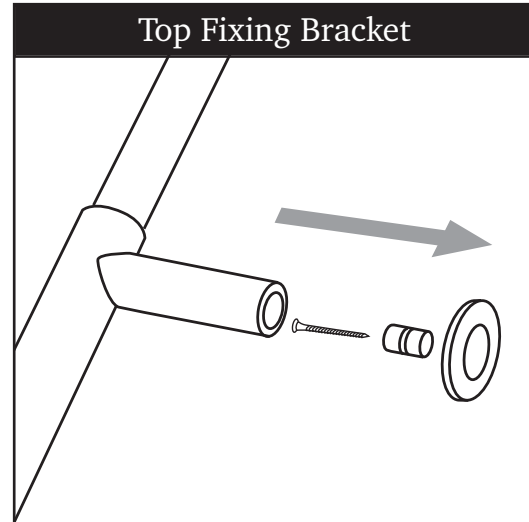


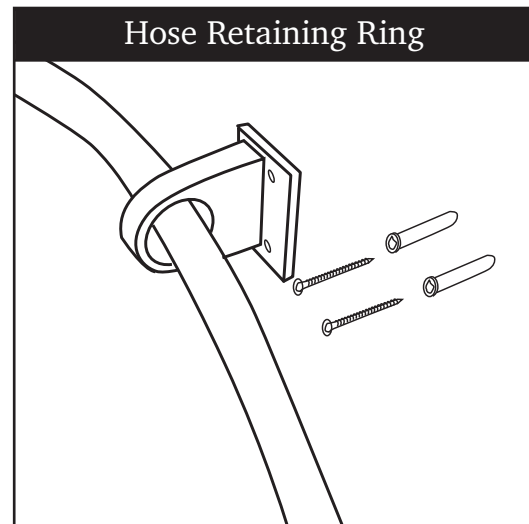
## 4.5081 Grand Rigid Riser Assembly Instructions



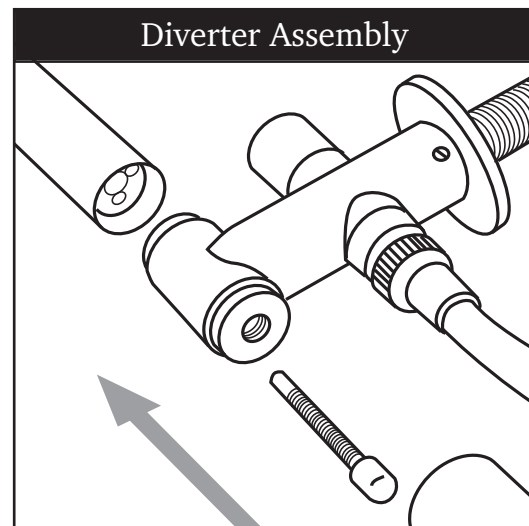
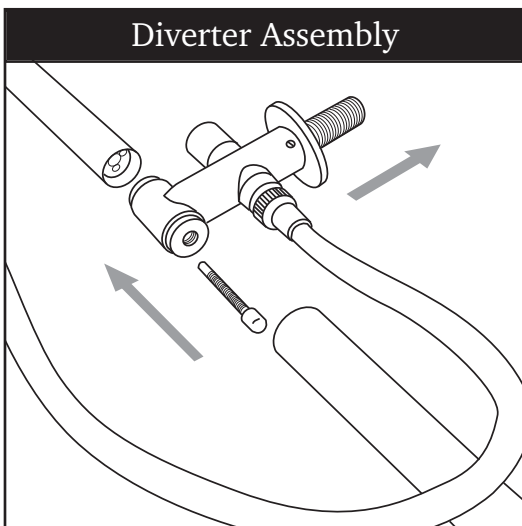
Consult a qualified plumber if you have any problems installing this product  
Ultra Finishing Helpline 01282 446789



Screw flange and peg to wall using rawl plug. Push riser pole over peg and secure with grub screws.



Push hose through the ring and secure to wall using screws and rawl plugs.



Remove backnut and washer from thread, push head through wall and connect to water supply. Secure with backnut and washer behind wall. Push diverter into bottom of pole, and secure with long brass screw. Screw the bottom tube into the bottom of diverter.