

Corner Panel

Instruction Manual

CSP



Consumer Guarantee

Please make sure the purchaser/end user completes and returns the Guarantee card which is enclosed with this product. Failure to validate the Guarantee will mean only the 1 Year Statutory Guarantee will apply.

IMPORTANT PRE-INSTALLATION CHECKS

Some Important Information to read before you install your Product.

- 1 Check you have the correct enclosure and tray. Please look at the labels on the side of the product packaging.
- 2 Check all the product components are in the box and the fixing kits are complete. Please check this with the component check list inside.
- 3 Unpack your product and handle it with care.
- 4 Please check the product for defects or damage. Once the installation has commenced we cannot accept responsibility for any defects or damage to the products.
- 5 Please take the time to read these instructions prior to installing your product.
- 6 Before you commence any drilling check there are no hidden electrical cables and/or water pipes in the walls.
- 7 No attempt should be made to re-work the toughened safety glass.
- 8 The installation should be performed by two persons.
- 9 It is strongly recommended that the walls the product is going to be installed on are vertical. However the wall profiles have 25mm of adjustment to help compensate for some deviation.
- 10 It is strongly recommended the product is fitted on tiled surface or similar waterproof surface.
- 11 It is strongly recommended the walls are tiled and grouted after the installation of the tray and before the installation of the product. This will provide maximum adjustment and help when sealing the product.
- 12 If the walls and/or the tray are not level you will not achieve maximum adjustment of the product.
- 13 Pictures used are for illustration purposes only, product designs may alter slightly as a result of continuing product development.
- 14 We do not stipulate where the European Standard Kite Mark should be positioned on the glass panels when being factory assembled.

Component Check List: Supplied

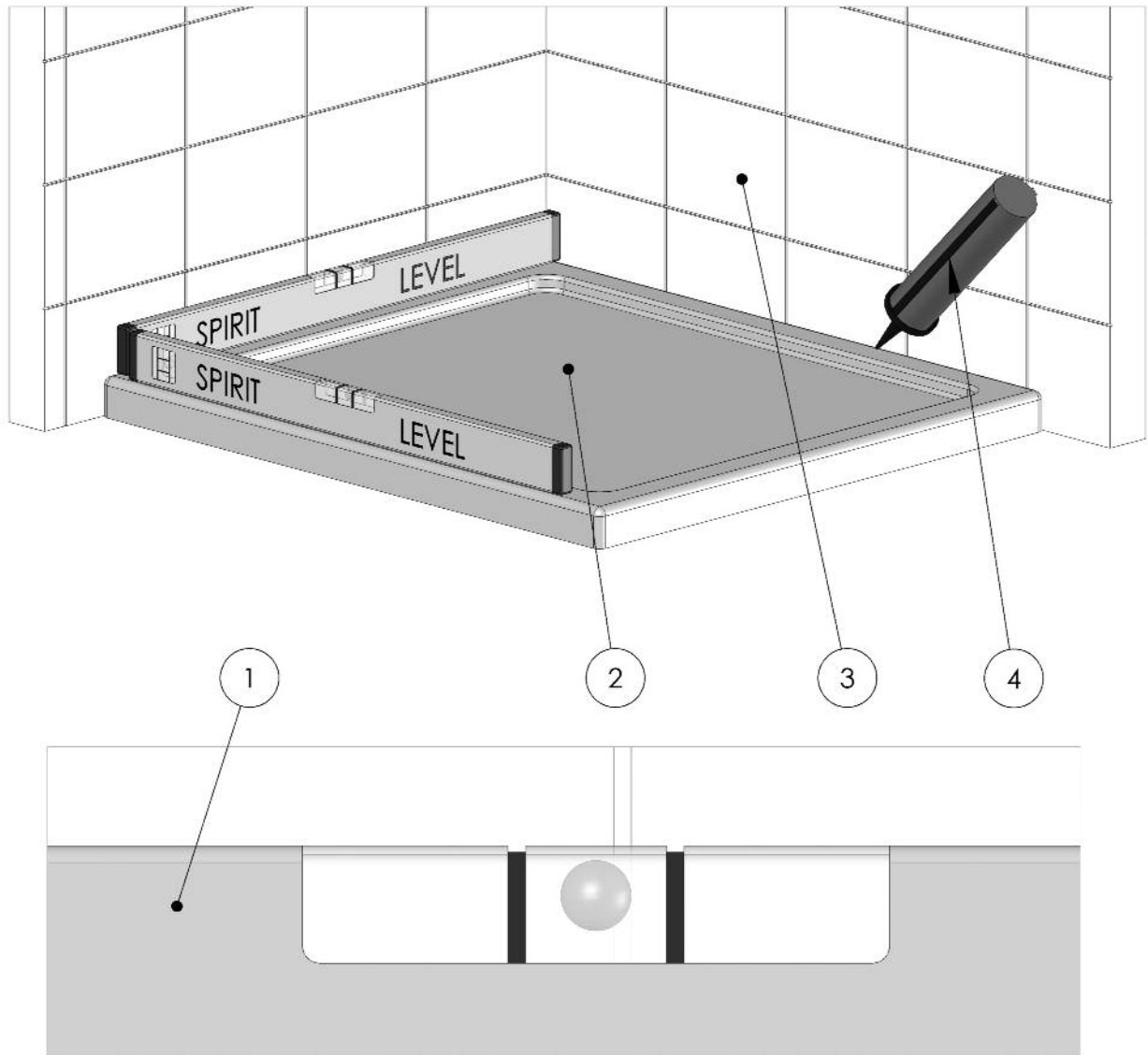
Description	Quantity
Glass Panel	1
Wall Profile	1
Brace Bar (adjusts 730mm to 760mm)	1 (optional)
Fixing Kit - Component Check list.	
40 mm Screws	4
Wall Plugs	4
9 mm Screws	3
Screw Cover caps and bases	3
2.5mm allen key	1
2.5mm Drill Bit	1
Branding Badge (where applicable)	1

Equipment Check List: Not Supplied

Description
Mains or battery drill
6mm masonry drill bit
Bathroom sealant gun
Bathroom sealant tube
Pozi Screw driver/Flat Headed Screw Driver
Spirit levels
Tape measure
Pencil
Additional fixings if going into plaster board

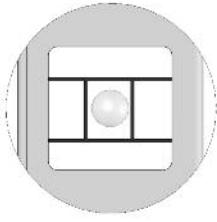
IMPORTANT PRE-INSTALLATION CHECKS

Step 1 - Checking the tray. (Not applicable if fitting to a Wet Room Floor. However the Wetroom must be complete prior to installing your panel).

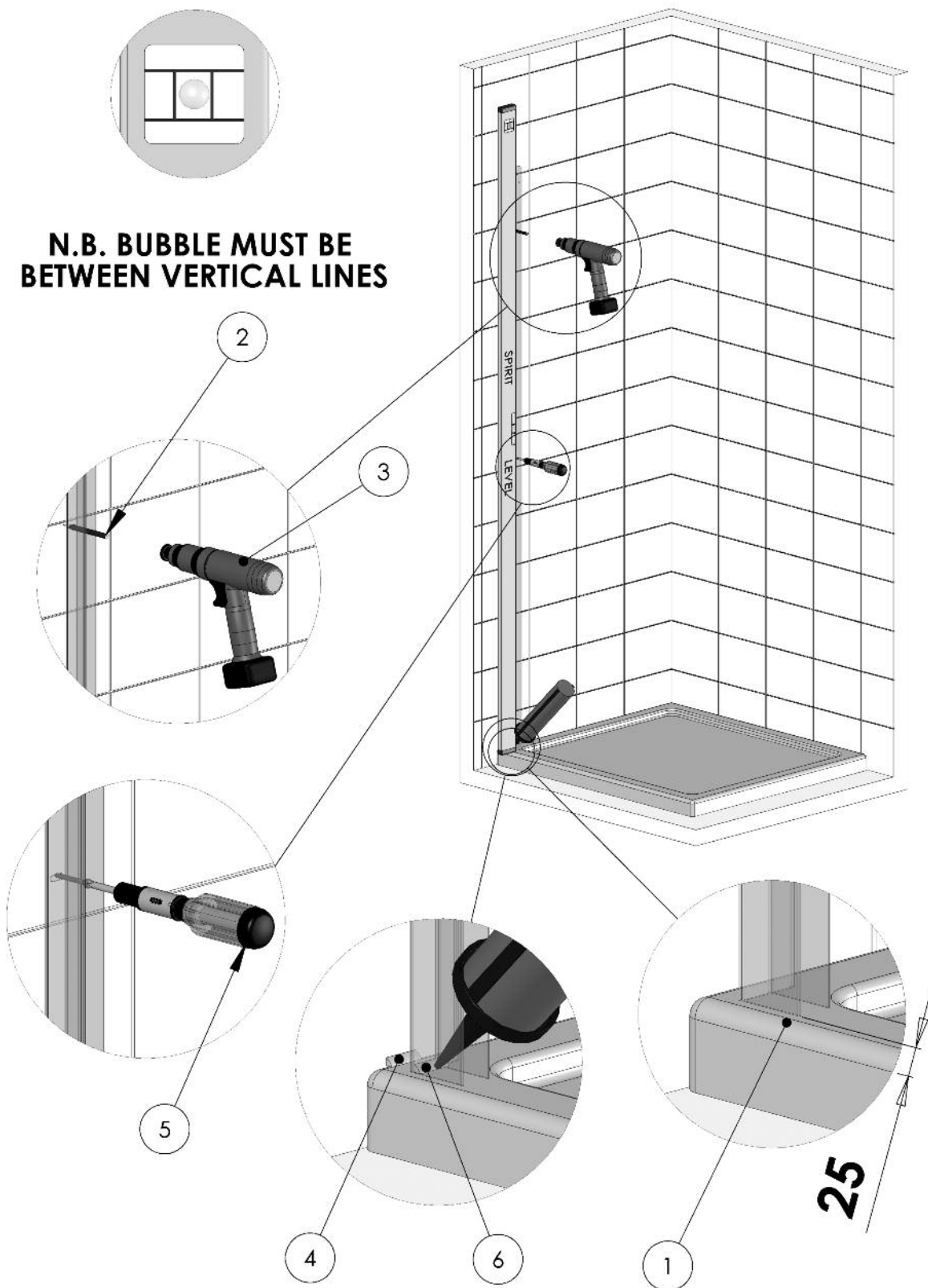


1. Check the tray is level, on all sides (The bubble should be in the centre of the two lines on the spirit level).
2. Stand in the tray and check there is no adverse movement.
3. The walls should be tiled and grouted prior to installing the enclosure.
4. The tiles and the tray should be sealed, using bathroom sealant.
 - **Spray the seal and joints with the shower head and check for leaks.**
 - **Check the plumbing for leaks.**
 - **Do not grout the tiles when the enclosure has been fitted as the grout may discolour the aluminum profiles.**
 - **Make sure the tray is installed as per the manufacturers instructions.**
 - **When all of the above criteria is complete please proceed to the next step in these instructions.**

Step 2 - Fixing the wall profile.



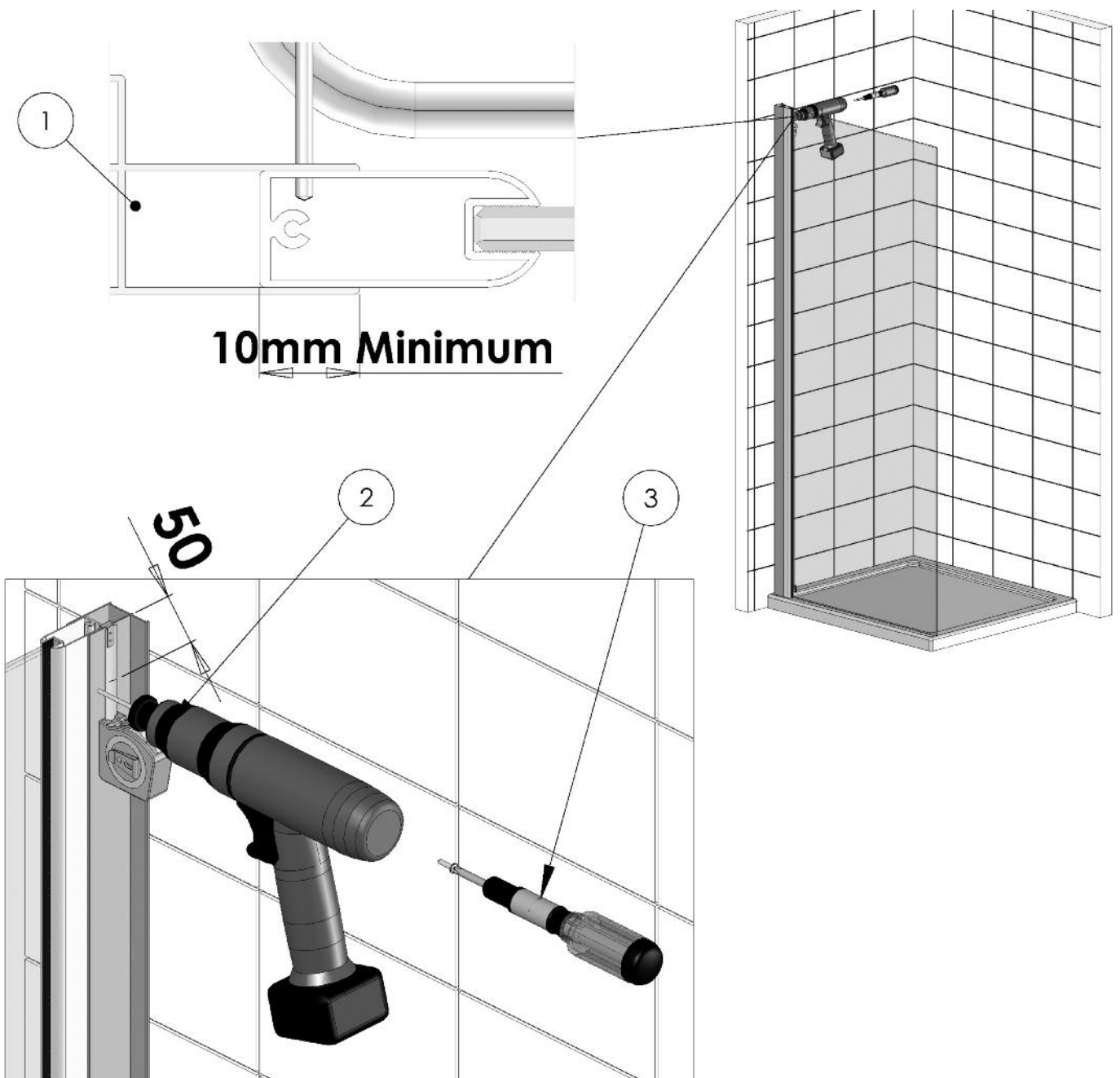
N.B. BUBBLE MUST BE BETWEEN VERTICAL LINES



1. Position wall profile approx. 25mm from the front of the tray. (See the bracing adjustment on the component check list if fitting this panel in a wetroom scenario)
2. Mark the locations for the drill holes using a pencil.
3. Drill the holes using 6mm masonry bit (not supplied). Then push the wall plugs in beyond the depth of the tile.
4. Apply sealant the width of the wall profile at the bottom where it meets the tiles and the tray or floor.
IMPORTANT: Failure to carry out this procedure can cause serious water damage and is not covered by the guarantee.
5. Fix the wall profile using the 40mm screws (supplied).
6. Apply sealant to the inside of the wall profile at the bottom where it meets the tray or floor.

NOTE: The wall profile **MUST** be level. (The bubble should be in the centre of the two lines on the spirit level).
The Silicone **MUST** be applied in steps 4 and 6, failure to do so can cause serious water damage.

Step 3 - Fixing the panel in location.

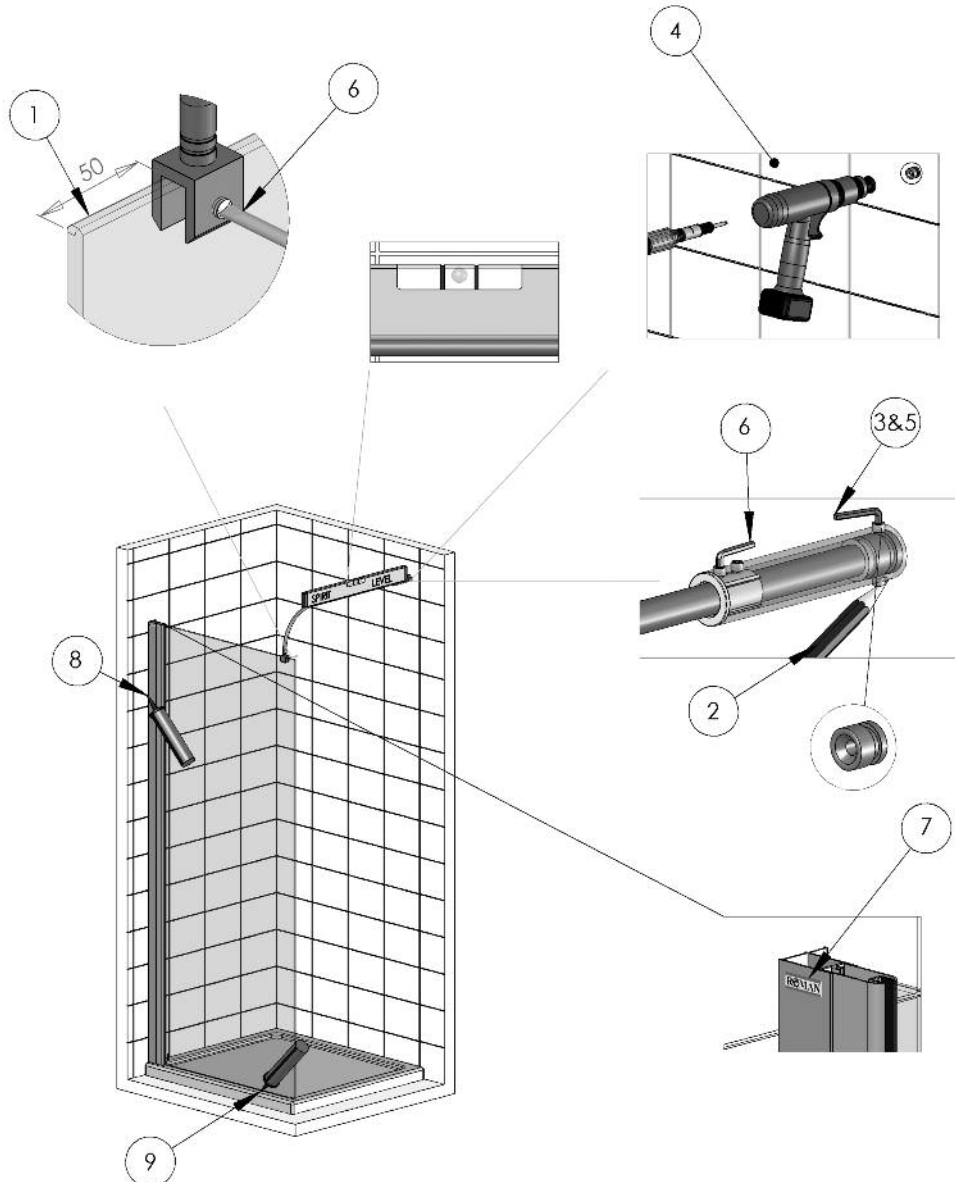


1. Offer the panel into location on the tray and in the wall profile. Leave a minimum of 10mm for the screw.
Make sure the glass panel is sitting in contact with the tray or floor along the full length of the glass.
2. Drill 3 holes through the wall profile and panel using the 2.5mm drill bit: 1 hole at 50mm from the top, 1 in the centre and 1 at 50mm from the bottom.
3. Screw Fix the panel into the wall profile using the supplied 9mm screws. Remember to use the cover cap bases and cover caps.

NOTE: (You may need help here, to lift the glass panel into location, and hold during the drilling and fixing of the panel).

Step 4 - Assemble the Brace Bar and seal the enclosure.

Please Note: The optional brace bar is only provided with the 1000mm, 1200mm, 1400mm Corner Panel. If you have purchased either the 600mm, 800mm, 900mm Corner Panel then please disregard lines 1 to 7 and jump straight to 8, 9 and 10 to complete the installation of your Corner Panel.

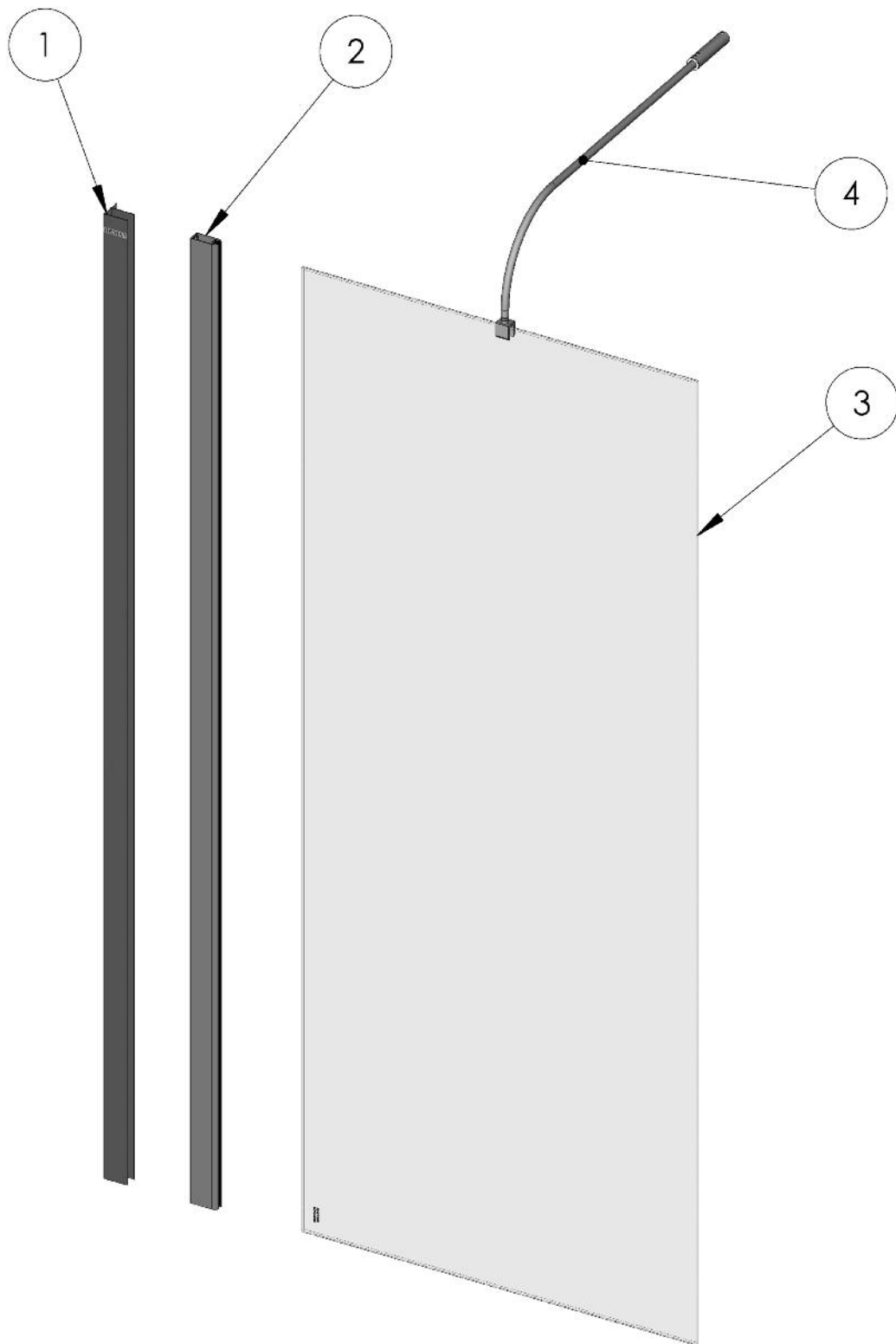


1. Using the full bracing assembly position the glass clamp 50mm in from the outside edge of the glass, do not fix at this stage.
2. Determine the location of the wall cup, and mark using a pencil. Make sure the brace bar is completely level using a spirit level.
3. Loosen the grub screw from the wall cup and remove the brass location nut. Remove the brace bar at this stage.
4. Position the brass location nut concentric to the pencil mark and put a second mark through the centre of the nut. Drill the hole for the brass location nut using a 6mm masonry drill bit and insert the wall plug. Screw-fix the brass location nut onto the wall using the supplied 40mm screw
5. Reposition the brace bar over the top of the brass location nut and tighten the grub screw.
6. Assemble the Brace bar onto the glass using a flat headed screw driver. **(There should be no metal touching the glass, use the spacers provided).** There is adjustment in the brace bar to allow correct alignment, loosen the grub screw to adjust and re-tighten when the panel is vertical.
 - **The brace bar must be level. (The bubble in the spirit level must be in the centre of the two lines)**
 - **The corner panel must be vertically level, make sure the brace bar has been adjusted to achieve this. (The bubble in the spirit level must be in the centre of the two lines)**
7. Stick on the branding badge (if applicable).
8. Seal vertically the full length of the wall profile where it meets tiles on the inside and outside of the enclosure using bathroom sealant.
9. Seal horizontally along the full length of the aluminium profile and the glass on the outside of the panel at the bottom where they meet the tiles and the tray using a bathroom sealant..

Note: You must leave the sealant for 24 hours to fully cure before using the shower

SPARE PARTS:

If you need to replace any damaged parts please see illustration below for parts list then call Customer Relations on 01325 328034



Should you experience any problems during installation please refer to the Trouble Shooting Guide or contact Customer Relations on:

+44 (0) 1325 328033/328034

To enable customer relations to provide you with an excellent level of service it is important that you quote your Product Code and Reference Number - these numbers can be found on the guarantee card.

TROUBLE SHOOTING GUIDE.

Problem	Solution
LEAKING	<ol style="list-style-type: none">1. Check the enclosure has been sealed correctly as the instructions. (Step 2 & 4)2. Check the tray is sealed along the tiled walls prior to the installation. (Step 1)3. Check the glass panel is sealed on the outside of the enclosure only. (Step 4)
ENCLOSURE ALIGNMENT ON THE TRAY OR FLOOR	<ol style="list-style-type: none">1. Check the tray has been installed as per the manufacturers instructions. (Step 1)2. Check the wall profiles have been fitted vertically. (Step 2)

Some important information to help you Maintain your product.

The following information is all you need to keep your product looking new.

Clean your product using a mild detergent diluted in water and then polished off using a soft cloth.

If you live in a hard water area, periodically clean your product using a 50/50 solution of white vinegar and water. The solution should be left on the enclosure for approximately 5 minutes then rinsed off using warm water. This method of cleaning should remove lime scale residue.

Simple maintenance.

Our products are generally maintenance free, however it may be necessary to lubricate wheel assemblies and other moving parts from time to time.

It is strongly recommended that a quality silicone spray is used.

A list of Don'ts:

- 1 - Don't use acidic based products which are unsuitable for cleaning enamel surfaces.
- 2 - Don't use Abrasive cleaners or cleaners containing bleach or solvents, these products will adversely affect the finish of the aluminium profiles.
- 3 - Don't use scouring pads, powder or any sharp instruments when cleaning the enclosure.