

Flomate

Mains Boost Extra 60 / 80

Flomate Mains Boost Extra 60/80 offers a simple, patented solution to the problem of low or intermittent mains water pressure without the need for a cold water break tank.

Designed to be connected directly to the incoming mains, Flomate Mains Boost Extra 60/80 are fully compliant with UK water regulations.



Features

Flomate Mains Boost Extra will deliver up to 16 litres/minute flow at 3.0 bar pressure to multiple outlets within the property, up to the preset cut-in limit of the 60/80 litre pressure vessel, at which time the system will deliver 12 litres/minute until demand ends and the pressure vessel recharges.

- Continuously rated
- Pre-wired with 1.5 metre power cable
- 3 year guarantee (subject to conditions)
- Automatic switching
- Easy installation
- Max. flow 16 l/min

Application

- Suitable for higher occupancy properties with typically up to two bathrooms, Flomate Mains Boost Extra 60/80 requires no on-site commissioning and fits neatly within a standard 500 mm kitchen base unit.

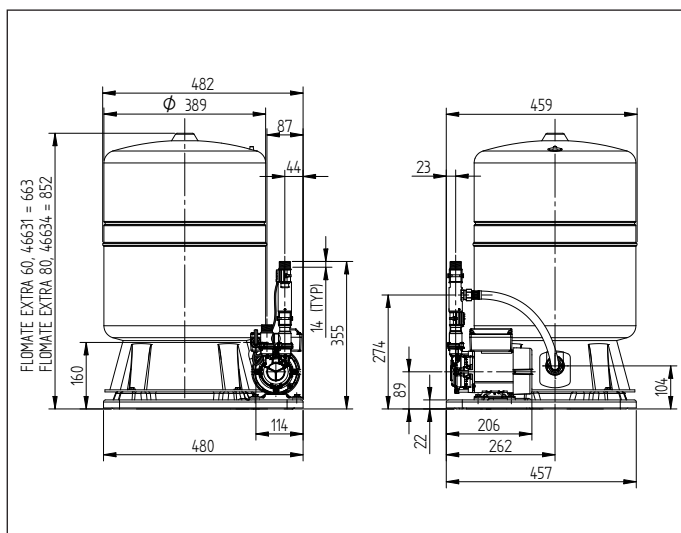
Description	Typical Run Time in Minutes	
	12 l/min	16 l/min
Mains Boost Extra 60	Continuous	8
Mains Boost Extra 80	Continuous	12

For further advice on selecting the correct pump call
or e-mail info@stpumps.co.uk

pumpassist
HELPLINE +44 (0) 844 98 000 97

Flomate

Pump Model		Flomate Mains Boost Extra 60 46631	Flomate Mains Boost Extra 80 46634
General	Guarantee	3 years	
	WRAS approval	1412061	
Features	Pump type	Peripheral	
	Mechanical seal	Nitrile / Carbon / Silicon Carbide	
	Flexible hoses	2	2
	Diaphragm tank size	60 litre	80 litre
	Diaphragm tank water capacity	30 litre	40 litre
	Dry run protection	✓	✓
Performance	Maximum head (closed valve)	3.2 bar	
	Maximum flow	16 l/min	
	Maximum working pressure*	450 kPa (4.5 bar)	
	Maximum ambient air temperature	40 °C	
	Min / Max water temperature	Min 4 °C / Max 35 °C	
	Flow switch sensitivity (approx)	0.6 l/min	
Connections	Pump connections	G ¾ male	
Flexible hoses	Connections	G ¾ female x 15 mm push-in x 200 mm long	
Motor	Type	Induction, auto-reset thermal trip	
	Duty rating	Continuous (S1)	
Electrical	Power supply / phase / frequency	230 V a.c. / 1 / 50 Hz	
	Current (full load)	1.7 Amps	
	Power consumption	365 Watts	
	Fuse rating	5 Amps	
	Power cable (pre-wired)	1.5 metres	
Physical	Enclosure protection	IPX4	
	Length	480 mm	
	Width	457 mm	
	Height (excluding hoses)	663 mm	852 mm
	Weight (including fittings)	17.6 Kg	21.8 Kg



* The maximum pressure that can be applied to the pump under any installation conditions.

Stuart Turner Limited reserves the right to amend specifications without notice.