

PH TS Automatic Flow Switch Pumps

The PH TS Automatic Flow Switch range of pumps offer a simple solution to pressure boosting where a gravity flow of approx. 1 l/min already exists.

Application

Ideal for the pressurisation of water to outlets in a positive head application, where an instant boosted supply is required from a simple to install package. The range is suitable for commercial or domestic use, pumping hot or cold water.

Features

- Fully automatic control - positive head
- No on-site setting/commissioning
- Built in 'no water' cut out
- No pulsing in operation
- Easy installation
- Reliable
- Quiet operation

Materials

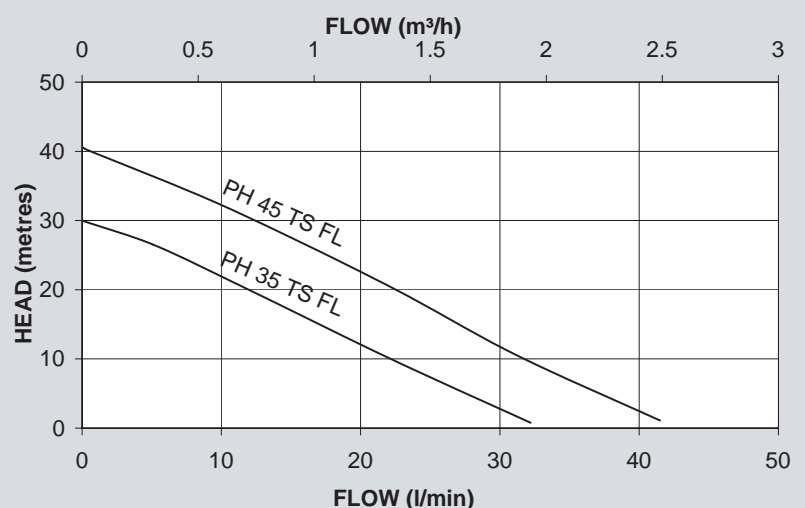
Body	Brass
Impeller	Brass
Pump shaft	Stainless steel
Seal	Nitrile/carbon/ceramic

Operating Conditions

Max. liquid temp.	80°C
Min. liquid temp.	4°C
Suction	Flooded
Max. ambient air temp.	40°C
Max. inlet head	14 m
Max. working pressure	6.0 bar

Pump Connection Sizes

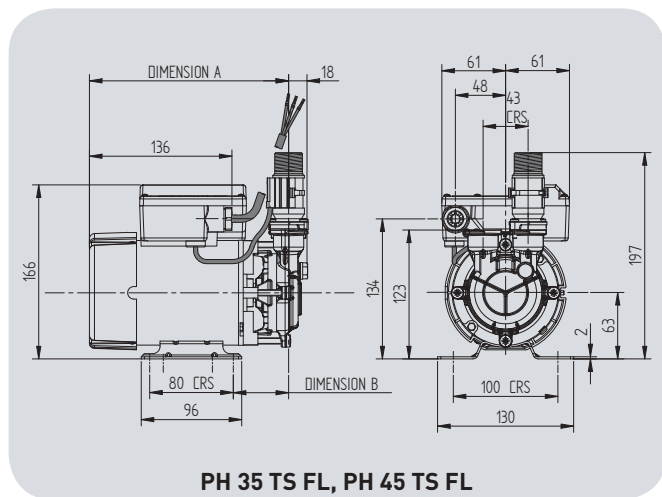
Inlet	G 3/4 Female
Outlet	G 3/4 Male



PH TS Automatic Flow Switch Pumps

Model	Motor	Nominal watts	Max. watts consumed	Amps full load	Impeller	Seal	Carton dims. mm			Gross weight (packed) kg	Part no.
							L	x W	xH		
PH 35 TS FL	230/1/50	120	295	1.3	Brass	Nit/Car/Cer	325	x 200	x 236	5.4	46522
PH 45 TS FL	230/1/50	300	420	1.9	Brass	Nit/Car/Cer	325	x 200	x 236	7.0	46530

All models have an enclosure rating of IPX4 and feature totally enclosed fan ventilated cooling. All models have thermal overload protection and are designed for continuous running for duties of 2.5 l/min and above.



Pump Description	Dim. A	Dim. B
PH 35 TS FL	191	54
PH 45 TS FL	220	54

All dimensions shown are in mm.

Stuart Turner Ltd
Henley-on-Thames
Oxfordshire RG9 2AD
England
Telephone: +44 (0)1491 572655
Fax: +44 (0)1491 573704

info@stpumps.co.uk
www.stuart-turner.co.uk

V.A.T. REG. No. 199 0987 92.
Registered in England No. 88368.
Registered Office:
Market Place, Henley-on-Thames

STUART TURNER
ENGINEERED TO EXCEL