

healthcare
HTM64 (ST A) doon drainer sink

ST A single bowl, single drainer stainless steel sink in 2 depths, with earthing terminal.

- Sink top assemblies
- Screw to wall, front legs or mounting on base unit
- Stainless steel
- 60cm & 65cm deep
- With or without tapholes

healthcare

HTM64



Illustrated

S5843 (ST A) Doon sink, single bowl left hand drainer sink and brackets, 120cm x 60cm, no tapholes, no overflow
 S8270 (TBH1) Markwik 1/2in lever action bib taps
 S8346 75mm extensions
 S8336 1/2in wall mounts for concealed plumbing
 S8726 (WT2) 1 1/2in strainer waste with unslotted tail
 S8925 (TRR2/P) 1 1/2in plastic resealing bottle trap 75mm seal and multi-purpose outlet

120cm x 60cm, 2 tapholes at 20cm centres, no overflow
 S5840 Doon sink, single bowl, right hand drainer 120cm x 60cm, 2 tapholes at 20cm centres, no overflow

65cm deep

S5847 Doon sink, single bowl, left hand drainer 120cm x 65cm, no tapholes, no overflow
 S5845 Doon sink, single bowl, right hand drainer 120cm x 65cm, no tapholes, no overflow
 S5846 Doon sink, single bowl left hand drainer, 120cm x 65cm 2 tapholes at 20cm centres, no overflow.
 S5844 Doon sink, single bowl right hand drainer, 120cm x 65cm 2 tapholes at 20cm centres, no overflow

Material

Stainless steel type 1.4301 (304)
 Bowl 0.9mm (before forming)
 Top 1.2mm

Weight

HTM64 version average weight 16.0kg
 HTM63 version average weight 14.0kg

Finish

Exposed surfaces polished with 240 grain

Standards

Stainless steel sheet conforms to BS EN 10088. Conforms to Metal sinks BS EN 13310

Options HTM64

60cm deep
 S5841 Doon sink, single bowl, right hand drainer, 120cm x 60cm, no tapholes, no overflow
 S5842 Doon sink, single bowl, left hand drainer,

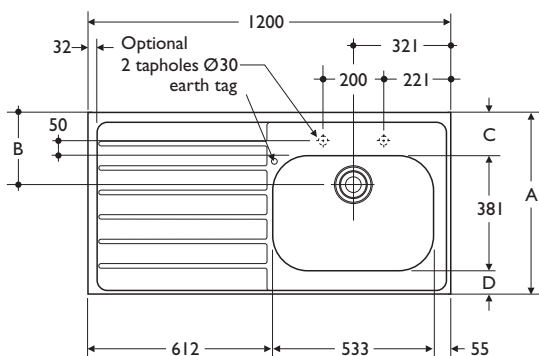
Options HTM63

65cm deep
 S5881 Doon sink, left hand drainer 120cm x 65cm, 2 tap holes, no overflow
 S5882 Doon sink, right hand drainer 120cm x 65cm, 2 tap holes, no overflow

S9272 stainless steel leg to floor (2 required)

suitable for mounting on base units

S5889 Doon sink, left hand drainer 120cm x 65cm, 2 tap holes, no overflow
 S5922 Doon sink, right hand drainer 120cm x 65cm, 2 tap holes, no overflow



A	B	C	D
600	239	144	75
650	253	158	111

