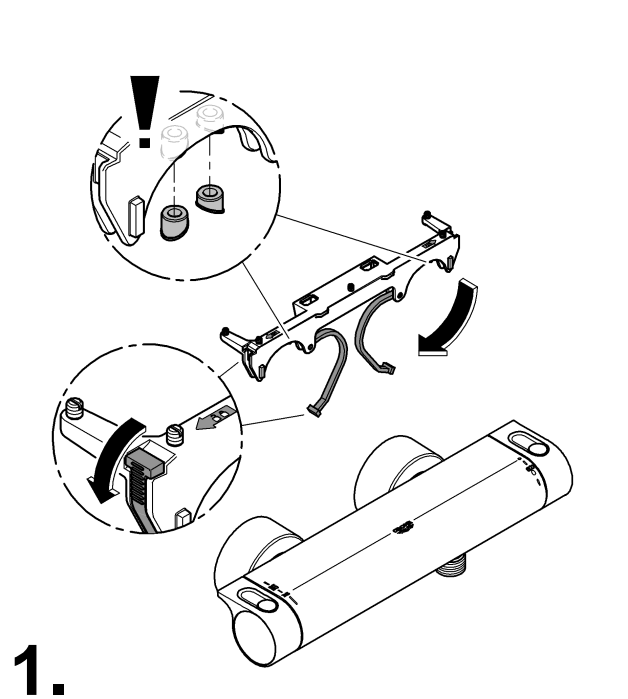
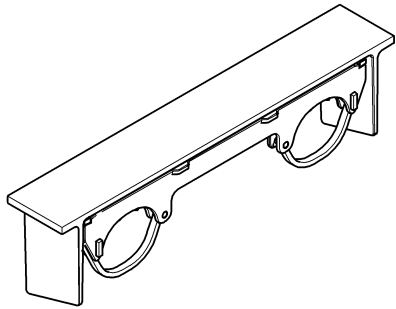


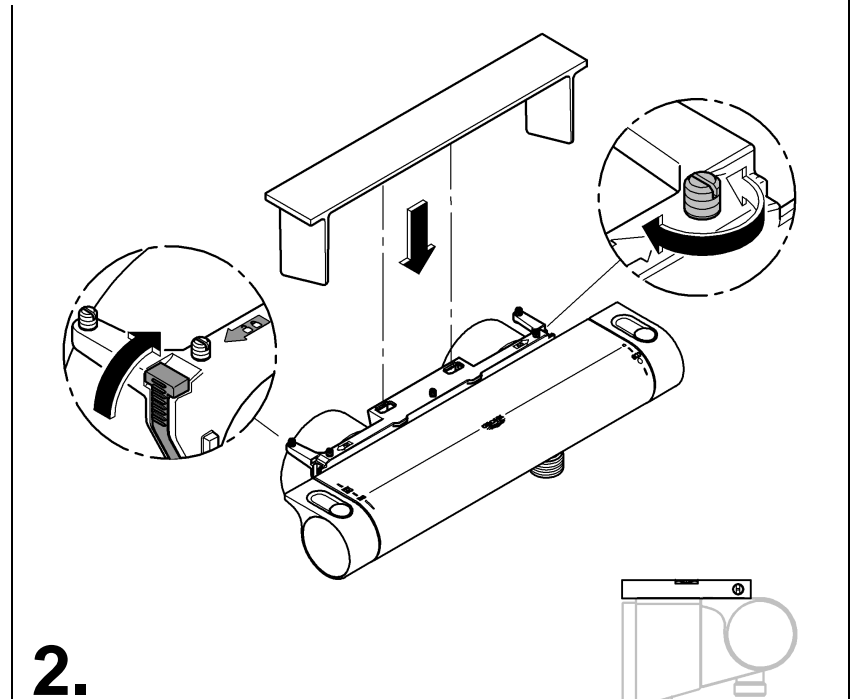


ENJOY WATER®

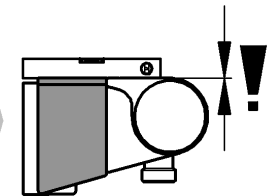
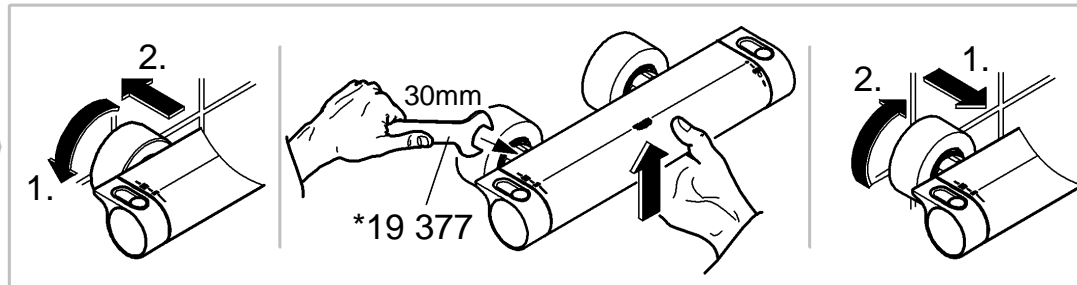
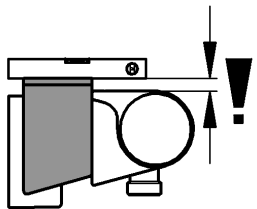
18 608



1.



2.



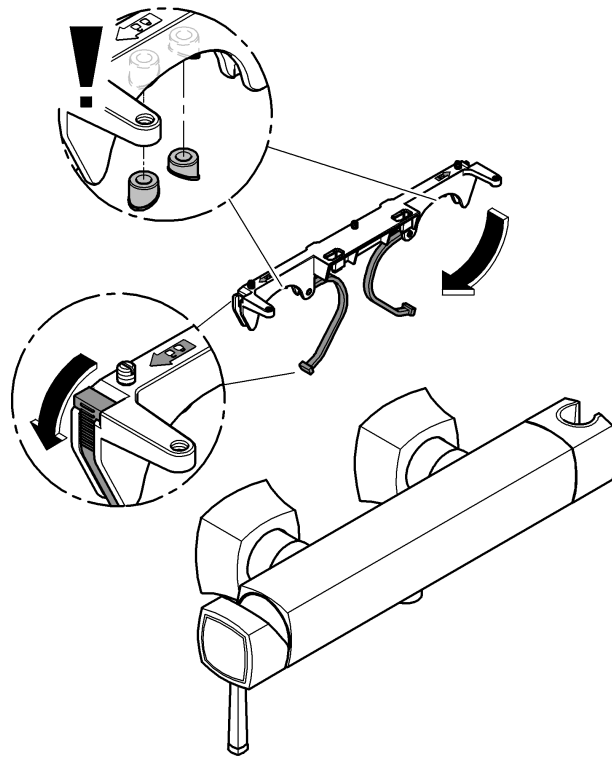
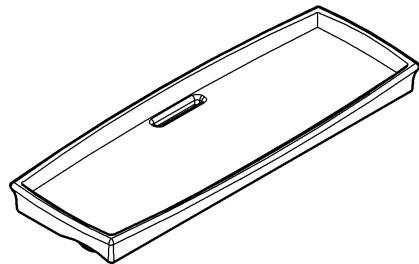
99.0023.131/ÄM 228336/08.13

Design + Engineering GROHE Germany

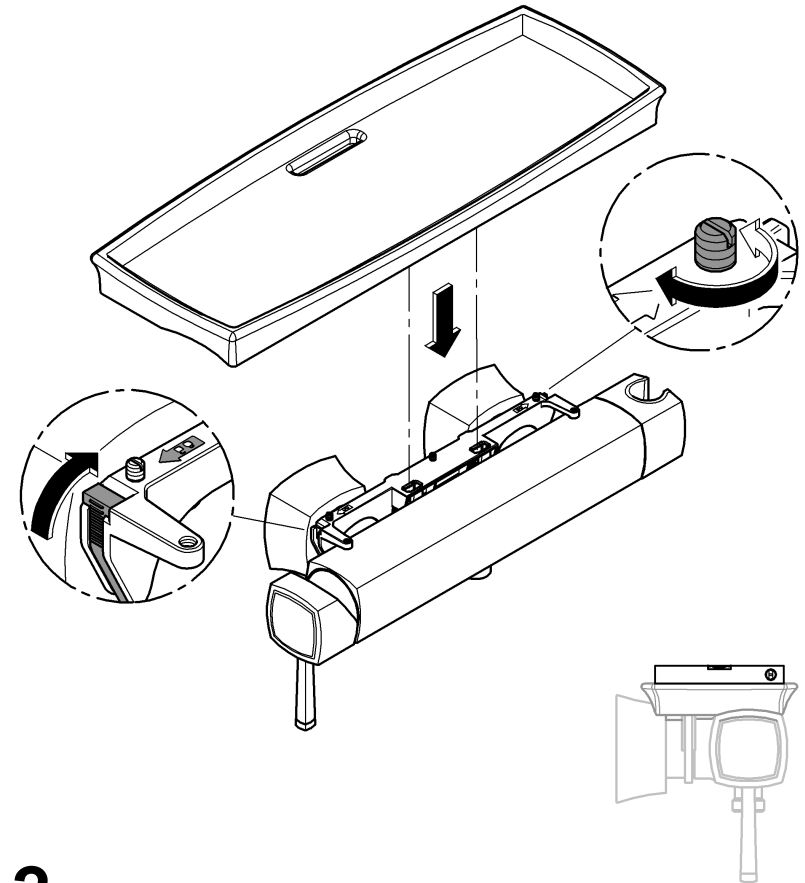


ENJOY WATER®

18 651



1.



2.

Design + Engineering GROHE Germany