
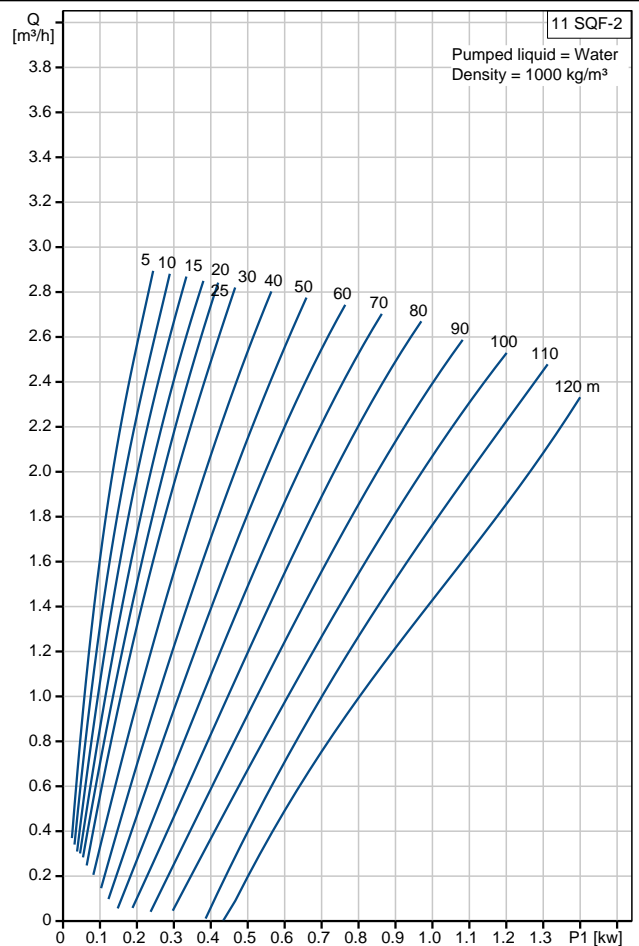
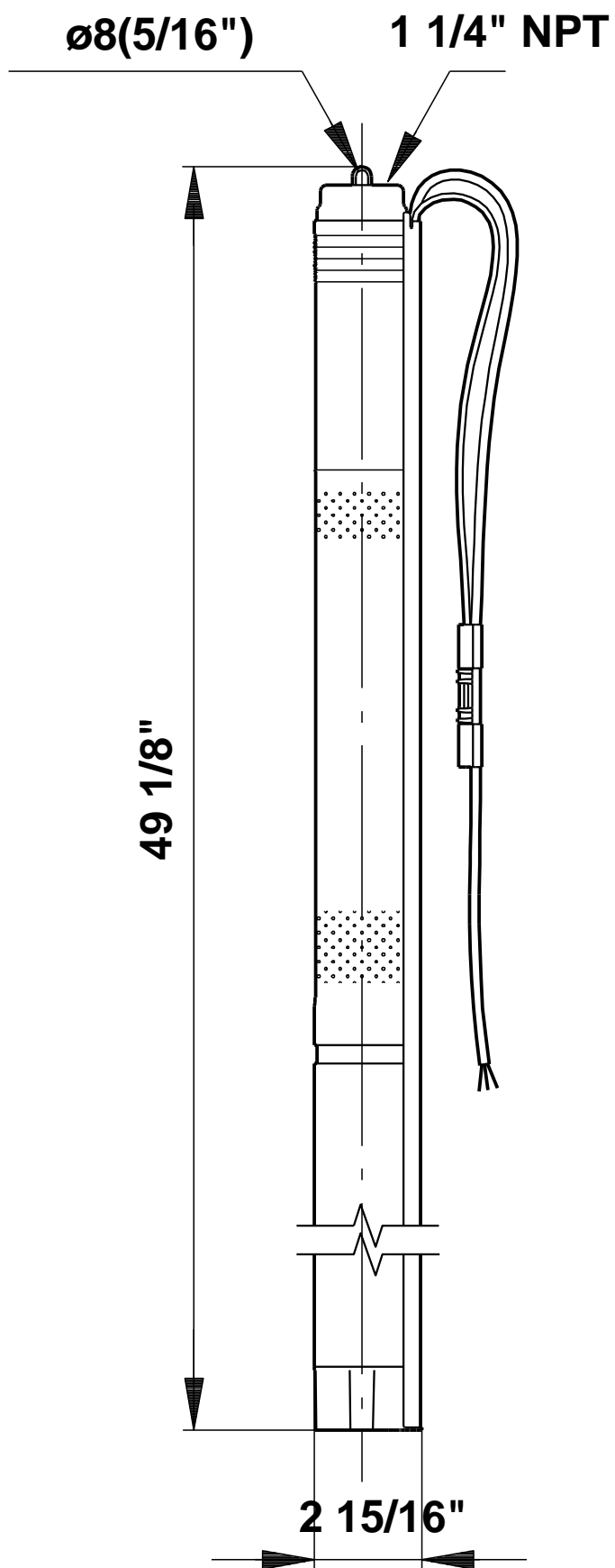


Position	Qty.	Description																																														
	1	<p><b>11 SQF-2</b></p>  <p style="text-align: right;"><b>Note!</b> Product picture may differ from actual product</p> <p>Product No.: <a href="#">95027335</a></p> <p>The 3" SQFlex pump with helical rotor is for high heads and low flow rates.</p> <p>The SQFlex system is a reliable water supply system based on renewable energy sources, such as solar and wind energy.</p> <p>Thanks to its flexible energy supply and performance, the SQFlex system can be combined and adapted to meet any need on the installation site.</p> <p>The SQFlex system has a wide voltage range, built-in maximum power point tracking (MPPT) as well as dry-running, voltage and overload protection.</p> <p><b>Liquid:</b></p> <table> <tr> <td>Pumped liquid:</td> <td>Water</td> </tr> <tr> <td>Maximum liquid temperature:</td> <td>40 °C</td> </tr> <tr> <td>Density:</td> <td>1000 kg/m<sup>3</sup></td> </tr> </table> <p><b>Technical:</b></p> <p>Approvals on motor nameplate: CE,CTICK,TR_MARK</p> <p><b>Materials:</b></p> <table> <tr> <td>Pump:</td> <td>Stainless steel DIN W.-Nr. 1.4301 AISI 304</td> </tr> <tr> <td>Impeller:</td> <td>DIN W.-Nr. 1.4301</td> </tr> </table> <p><b>Installation:</b></p> <table> <tr> <td>Maximum ambient pressure:</td> <td>15 bar</td> </tr> <tr> <td>Pump outlet:</td> <td>1 1/4 NPT"</td> </tr> <tr> <td>Minimum borehole diameter:</td> <td>76 mm</td> </tr> </table> <p><b>Electrical data:</b></p> <table> <tr> <td>Motor type:</td> <td>MSF3</td> </tr> <tr> <td>Power input - P1:</td> <td>1.4 kW</td> </tr> <tr> <td>Rated voltage ac:</td> <td>1 x 90-240 V</td> </tr> <tr> <td>Rated voltage dc:</td> <td>30-300 V</td> </tr> <tr> <td>Start. method:</td> <td>direct-on-line</td> </tr> <tr> <td>Rated current:</td> <td>8.4 A</td> </tr> <tr> <td>Power factor:</td> <td>1,0</td> </tr> <tr> <td>Rated speed:</td> <td>500-3600 rpm</td> </tr> <tr> <td>Enclosure class (IEC 34-5)::</td> <td>IP68</td> </tr> <tr> <td>Insulation class (IEC 85):</td> <td>F</td> </tr> <tr> <td>Length of cable:</td> <td>2 m</td> </tr> </table> <p><b>Others:</b></p> <table> <tr> <td>Minimum efficiency index, MEI :</td> <td>-.--</td> </tr> <tr> <td>Net weight:</td> <td>8.2 kg</td> </tr> <tr> <td>Gross weight:</td> <td>10 kg</td> </tr> <tr> <td>Shipping volume:</td> <td>0.024 m<sup>3</sup></td> </tr> </table>	Pumped liquid:	Water	Maximum liquid temperature:	40 °C	Density:	1000 kg/m <sup>3</sup>	Pump:	Stainless steel DIN W.-Nr. 1.4301 AISI 304	Impeller:	DIN W.-Nr. 1.4301	Maximum ambient pressure:	15 bar	Pump outlet:	1 1/4 NPT"	Minimum borehole diameter:	76 mm	Motor type:	MSF3	Power input - P1:	1.4 kW	Rated voltage ac:	1 x 90-240 V	Rated voltage dc:	30-300 V	Start. method:	direct-on-line	Rated current:	8.4 A	Power factor:	1,0	Rated speed:	500-3600 rpm	Enclosure class (IEC 34-5)::	IP68	Insulation class (IEC 85):	F	Length of cable:	2 m	Minimum efficiency index, MEI :	-.--	Net weight:	8.2 kg	Gross weight:	10 kg	Shipping volume:	0.024 m <sup>3</sup>
Pumped liquid:	Water																																															
Maximum liquid temperature:	40 °C																																															
Density:	1000 kg/m <sup>3</sup>																																															
Pump:	Stainless steel DIN W.-Nr. 1.4301 AISI 304																																															
Impeller:	DIN W.-Nr. 1.4301																																															
Maximum ambient pressure:	15 bar																																															
Pump outlet:	1 1/4 NPT"																																															
Minimum borehole diameter:	76 mm																																															
Motor type:	MSF3																																															
Power input - P1:	1.4 kW																																															
Rated voltage ac:	1 x 90-240 V																																															
Rated voltage dc:	30-300 V																																															
Start. method:	direct-on-line																																															
Rated current:	8.4 A																																															
Power factor:	1,0																																															
Rated speed:	500-3600 rpm																																															
Enclosure class (IEC 34-5)::	IP68																																															
Insulation class (IEC 85):	F																																															
Length of cable:	2 m																																															
Minimum efficiency index, MEI :	-.--																																															
Net weight:	8.2 kg																																															
Gross weight:	10 kg																																															
Shipping volume:	0.024 m <sup>3</sup>																																															

Description	Value
<b>General information:</b>	
Product name:	11 SQF-2
Product No:	95027335
Position:	
EAN number:	5700834791802
Price:	On request
<b>Technical:</b>	
Approvals on motor nameplate:	CE,CTICK,TR_MARK
Pump No:	95027416
Stages:	2
Valve:	pump with built-in non-return valve
<b>Materials:</b>	
Pump:	Stainless steel DIN W.-Nr. 1.4301 AISI 304
Impeller:	DIN W.-Nr. 1.4301
Rotor:	Stainless steel DIN W.-Nr. 1.4301 AISI 304
Stator:	Stainless steel / EPDM DIN W.-Nr. 1.4301 AISI 304
<b>Installation:</b>	
Maximum ambient pressure:	15 bar
Pump outlet:	1 1/4 NPT"
Minimum borehole diameter:	76 mm
<b>Liquid:</b>	
Pumped liquid:	Water
Maximum liquid temperature:	40 °C
Density:	1000 kg/m <sup>3</sup>
<b>Electrical data:</b>	
Motor type:	MSF3
Power input - P1:	1.4 kW
Rated voltage ac:	1 x 90-240 V
Rated voltage dc:	30-300 V
Start. method:	direct-on-line
Rated current:	8.4 A
Power factor:	1,0
Rated speed:	500-3600 rpm
Enclosure class (IEC 34-5)::	IP68
Insulation class (IEC 85):	F
Motor protec:	Y
Thermal protec:	internal
Length of cable:	2 m
Motor No:	98163731
<b>Others:</b>	
Minimum efficiency index, MEI :	-.--
Net weight:	8.2 kg
Gross weight:	10 kg
Shipping volume:	0.024 m <sup>3</sup>
Sales region:	North America



95027335 11 SQF-2 50 Hz



Note! All units are in [mm] unless others are stated.  
Disclaimer: This simplified dimensional drawing does not show all details.