

opal (with tread) 1700 x 700

tread pattern full length of base

**bath**

1700 x 700mm acrylic bath, with tread:

2 centre tap holes, with CP grips **OL8822WH**2 centre tap holes, no grips **OL8802WH**No tap holes, no grips*,
encapsulated **OL8800WH****grips (optional extra)***Chrome plated (pair) **BG1395CP****bath panels**

Refer to bath panels

bath screens

Suitable for a folding or fixed bath screen.

For options refer to bath screens.

wastes

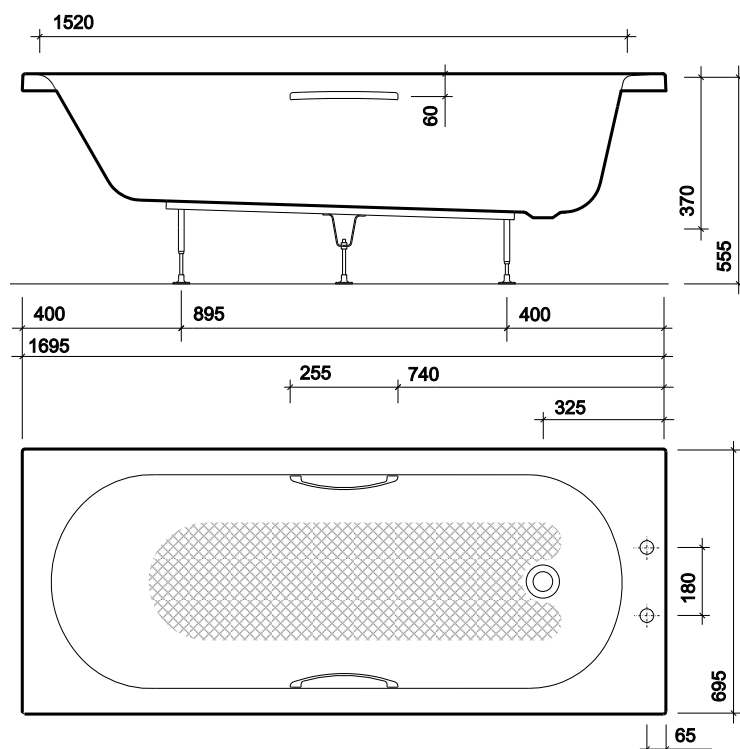
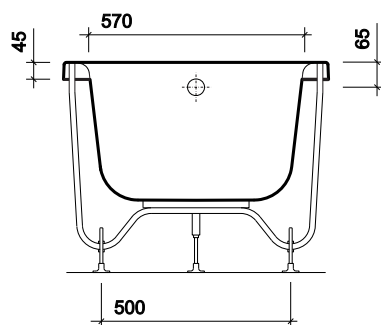
Refer to wastes

recommended taps & mixers

Refer to taps & mixers.

approvalsBaths manufactured to European & British
Standards EN263/EN14516 CL1**material**Made from 4mm acrylic sheet reinforced with
glass fibre.**colours**

White WH.

fixingsSupported on wooden frame with steel cradle
and adjustable feet. Clips provided for
securing to wall.all measurements shown are in millimetres. drawing sizes
are not to scale.Lawton Road, Alsager, Stoke-on-Trent ST7 2DF, UK
Tel: +44(0) 1270 879777 Fax: +44(0) 1270 873864
www.twyfordbathrooms.com UK Technical Helpline Tel: 0844 412 5921 Fax: 0844 412 5922